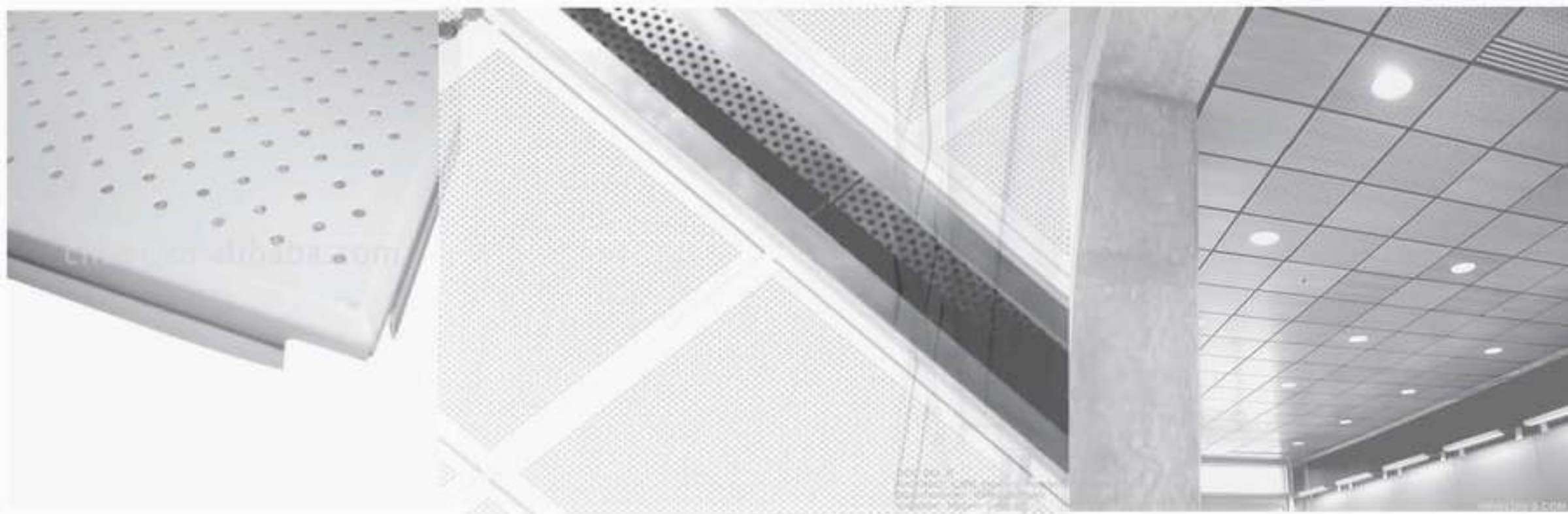
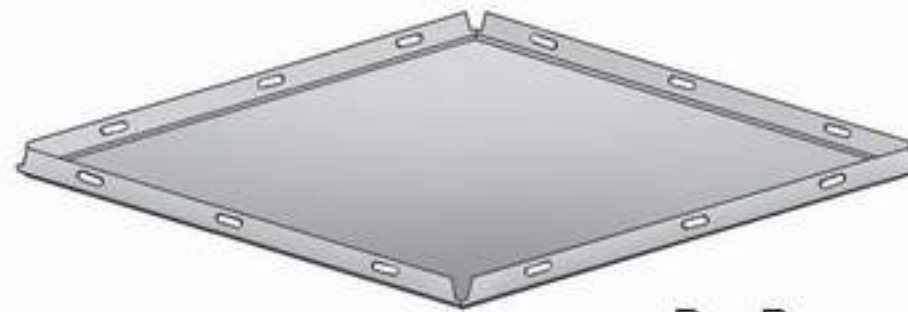


ALUMINIUM CEILING TILES



Concealed Ceiling

MC Clip-in System



B = Box
D = Bundle

Tiles Details

Product	Dimensions	Edge
Reference		Beveled/Bebeled
MC/CT60	600x600	5mmx45°

Pattern	Material/Thickness		
Reference	Aluminum	Steel	Kg/Pc
Plain	0.5-0.7	0.5	0.664
Perforated	0.5-0.7		0.517

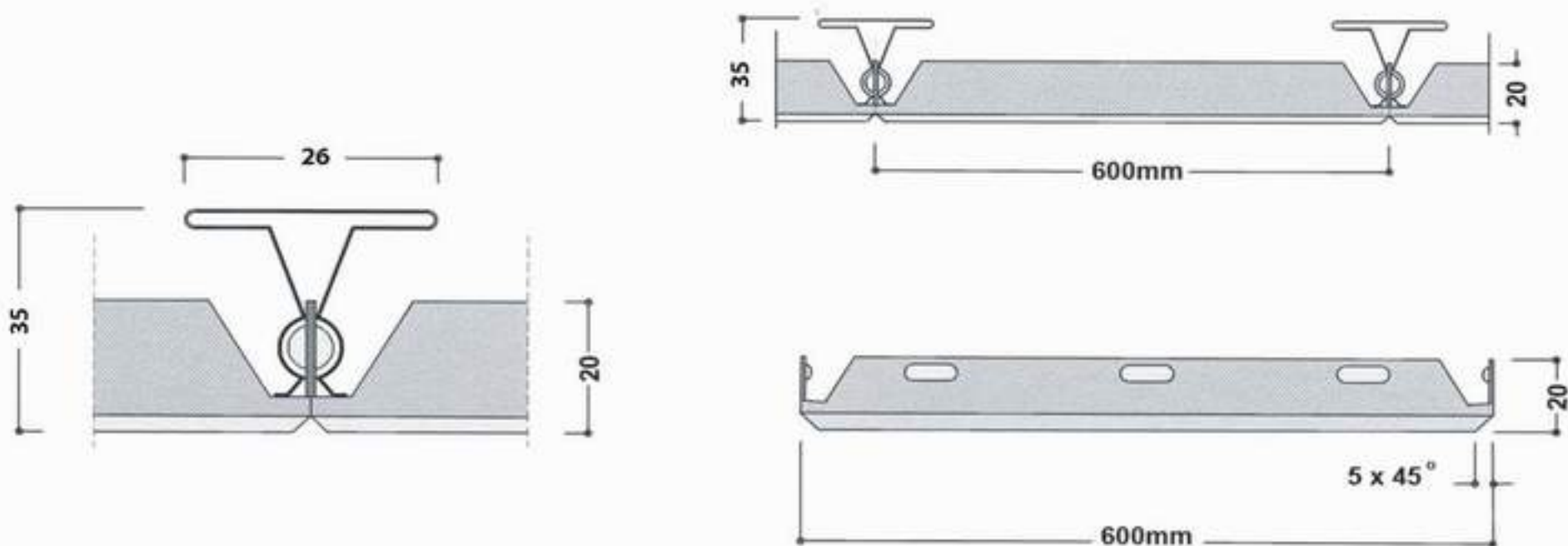
Packing/Carton Or Bundle		
Pc.s	Kg.	m ³
30/B	19.92	0.1625
30/B	15.51	0.1625

Standard Thickness 0.6mm

Colour:

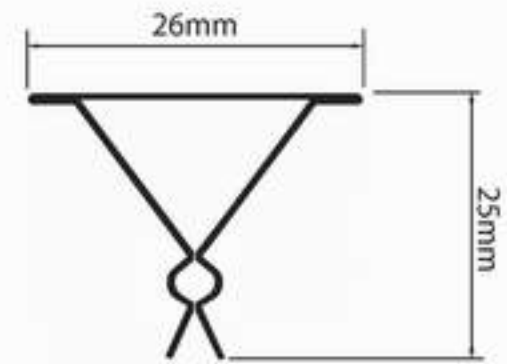
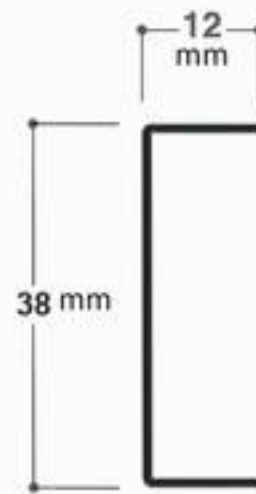
- Pre-painted stove enameled polyester coating on TechnoMec standard white color.
- Silver & Golden mirror, Aluminum 0.5mm thick only
- Other colours available upon request on (RAL Standard colour)

Section Drawing:



Concealed Ceiling

MC Clip-in System



B = Box
D = Bundle

Suspension System



SPRING TEE

Product	Dimensions		Standard		
	Standard	mm	Standard	Standard	Standard
Reference	Length	Available Length	Thick	Available Thick	Kg./pc
ST 25	2900	up 7000	0.45	0.45-0.6	0.73

Packing/Carton Or Bundle

GALVANIZED STEEL

Pc.s	Kg.	m ³
80/B	58.4	0.0384



PRIMER C-CHANNEL

Product	Dimensions		Standard		
	Standard	mm	Standard	Standard	Standard
Reference	Length	Available Length	Thick	Available Thick	Kg./pc
C-1238	2900	up 7000	0.5	0.5-0.6	0.63

Packing/Carton Or Bundle

GALVANIZED STEEL

Pc.s	Kg.	m ³
20/B	12.6	0.0176

System Related Accessories

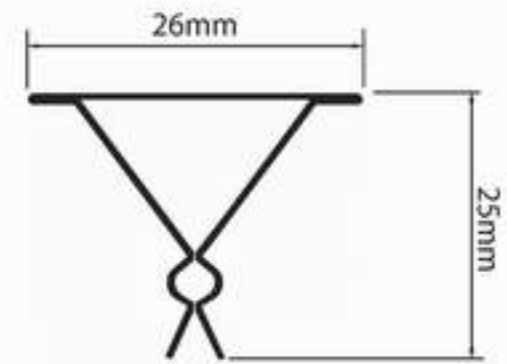
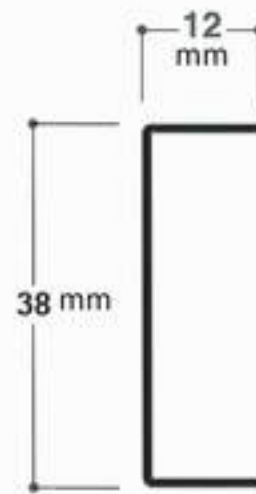


SPRING TEE JOINER

Product	Standard		Packing/Carton Or Bundle		
	Reference	Thick	Kg./pc	Pc.s	Kg.
STC	0.55	0.04	30	1.2	0.01

Concealed Ceiling

MC Clip-in System



B = Box
D = Bundle

Suspension System



SPRING TEE

Product	Dimensions		Standard		
	Standard	mm	Standard	Standard	Standard
Reference	Length	Available Length	Thick	Available Thick	Kg./pc
ST 25	2900	up 7000	0.45	0.45-0.6	0.73

Packing/Carton Or Bundle

GALVANIZED STEEL

Pc.s	Kg.	m ³
80/B	58.4	0.0384



PRIMER C-CHANNEL

Product	Dimensions		Standard		
	Standard	mm	Standard	Standard	Standard
Reference	Length	Available Length	Thick	Available Thick	Kg./pc
C-1238	2900	up 7000	0.5	0.5-0.6	0.63

Packing/Carton Or Bundle

GALVANIZED STEEL

Pc.s	Kg.	m ³
20/B	12.6	0.0176

System Related Accessories



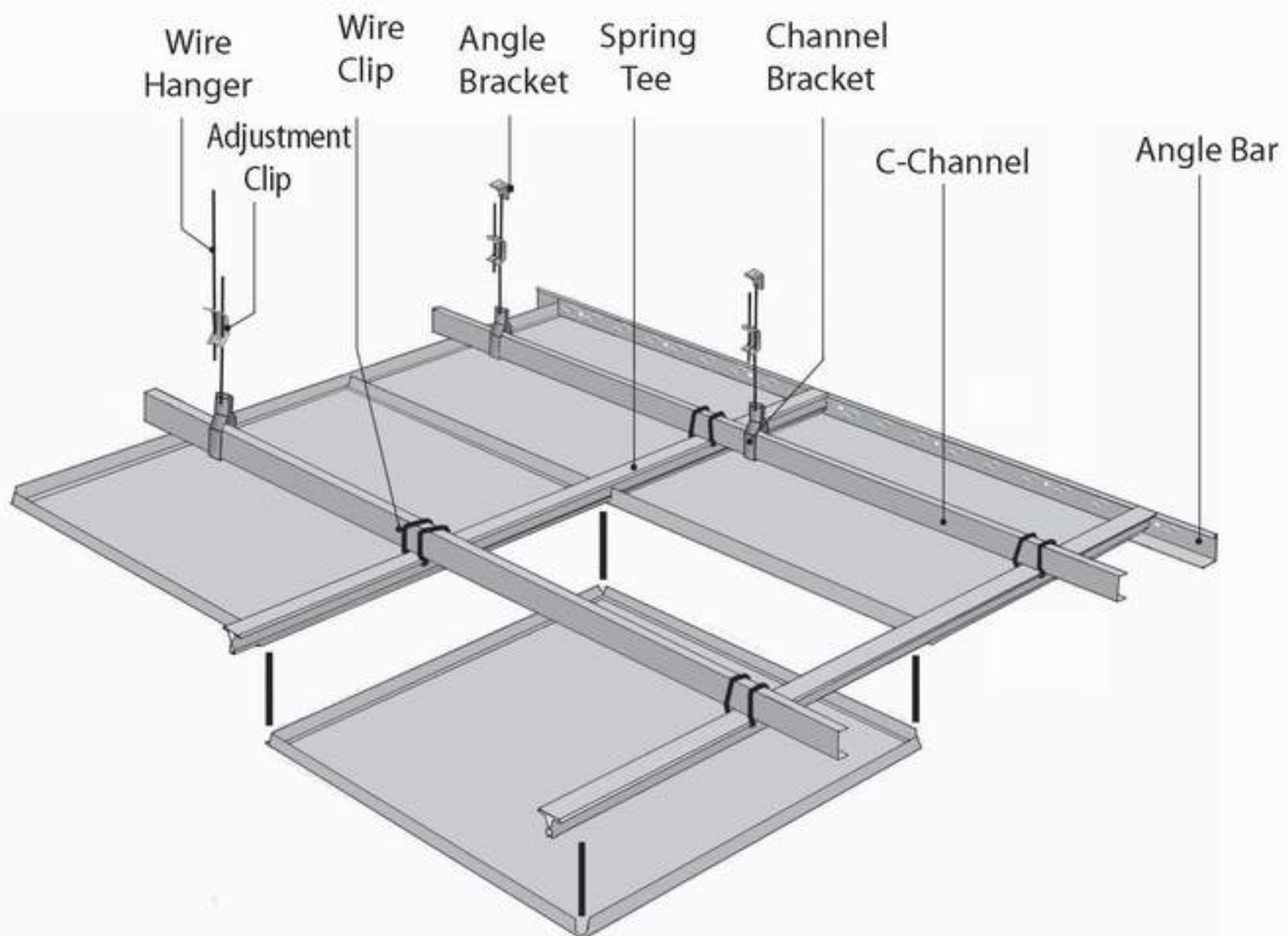
SPRING TEE JOINER

Product	Standard		Packing/Carton Or Bundle		
	Reference	Thick	Kg./pc	Pc.s	Kg.
STC	0.55	0.04	30	1.2	0.01

Concealed Ceiling

MC Clip-in System

The system is a range of square clip-in metal tiles with concealed grid system. Clip in System offers simple and easy access for maintenance and installation without using special tool.



Assembly System

Since the flexibility of the rooms is an important requirement today, more is being move up to the ceiling. Electrical wiring, the ventilation equipment and its control system, safety functions such as alarms and fire protection systems as well as cabling for computers and other communication system. So many ducts, pipes and cables must be concealed with safetiness. Clip-in System provides full access to the ceiling void. It can be lowered fully without any cross tees being in the way.

The main runners can be mounted either against the structural ceiling or against the wall. They are entirely concealed by the ceiling elements.

Aluminium Ceiling Tegular Lay-in System



Physical Properties

Pattern	Length/Width	Thickness	Weight
Plain	600x600mm	0.6mm	0.69kg/pcs
Perforated	600x600mm	0.6mm	0.56kg/pcs
Plain	600x600mm	0.7mm	0.80kg/pcs
Perforated	600x600mm	0.7mm	0.65kg/pcs

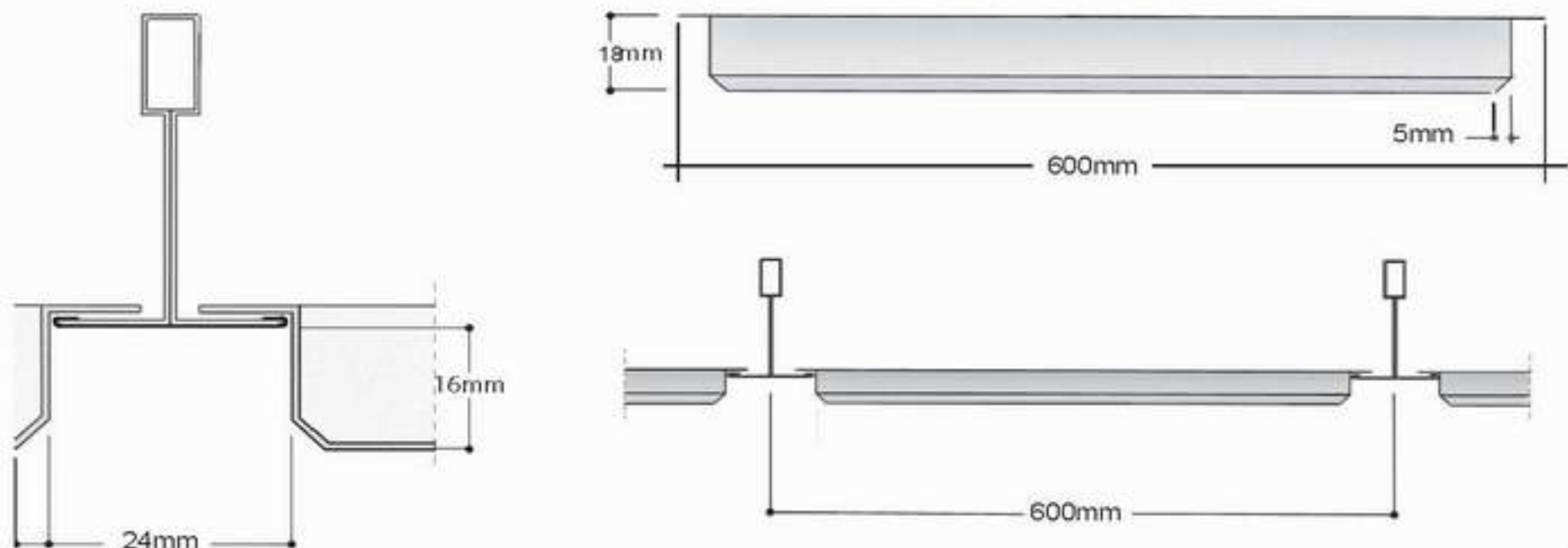
Packing

Pcs	Kg.	m ³
16/B	11.10	0.117
16/B	8.90	0.117
16/B	12.80	0.117
16/B	10.40	0.117

Colour:

- Powder coated in standard white color.
- Other colours available upon request.

Section Drawing:



Aluminium Ceiling Tegular Lay-in System

The system is a range of 600 x 600mm square tiles with a tegular effect installed on an exposed suspended Tee Bar grid.

The Lay-in system is easy to install and dismantle and offers exciting design opportunities for architects and interior designers.

